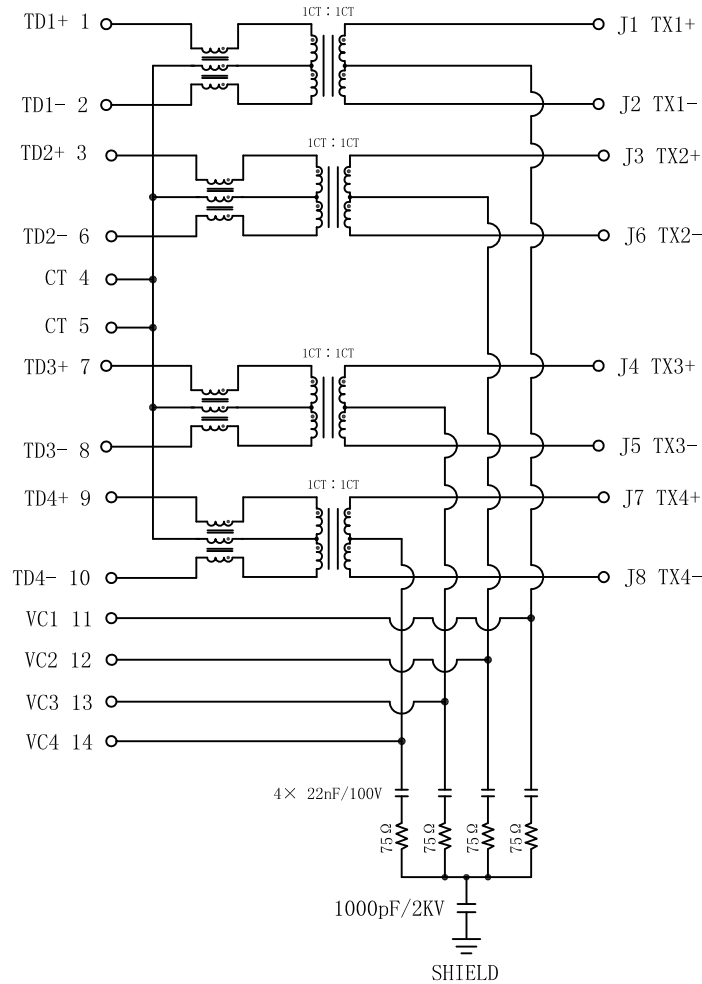


Schematic:

PC BOARD CONNECTIONS



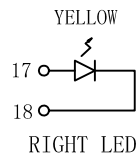
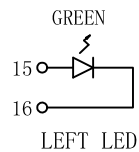
RJ45 CONNECTOR

REV.	ECN NO.	DESCRIPTION	DATE	APPD
A	REL	① = 4.0mm ② = 3.6mm	2018-02-26	
B	REL	① = 3.7mm (4.0mm ↔ 3.7mm) ② = 4.1mm (3.6mm ↔ 4.1mm)	2018-10-16	
C	REL	① = 2.85mm(3.7mm ↔ 2.85mm)	2019-09-18	

ELECTRICAL SPECIFICATIONS @25°C

- Turn Ratio(±5%):
Pri : Sec = 1CT : 1CT
- Inductance OCL:
350uH MIN @100KHz/0.1V, 8mA DC Bias
120uH MIN @100KHz/0.1V, 18mA DC Bias
- Insertion Loss:
-1.0dB MAX @1-100MHz
-1.2dB MAX @100-125MHz
- Return Loss:
-16dB MIN @1-40MHz
-12dB MIN @40-60MHz
-10dB MIN @60-80MHz
-8dB MIN @80-100MHz
- Cross talk:
-30dB MIN @1-100MHz
- Common to Common Mode Rejection:
-30dB MIN @1-100MHz
- DC Current/Voltage Rating pse Pins:
600mA MAX @54VDC(Continuous)
- Hipot Test: 1500Vrms MIN
- Operating Temperature: 0°C to 70°C.

Emitting Color	λp(nm)	VF@IF=20mA	IR @VR=5V
GREEN	565	1.8~2.6V	10 μA max
YELLOW	585	1.8~2.6V	10 μA max



X:X ±0.25	APPD:	LINK-PP INT'L TECHNOLOGY CO., LIMITED
X:XX ±0.20	CHKD:	
X:XXX ±0.05	DR: TOM	TITLE: RJ45 Connector with 1000 Base-T Integrated Magnetics For PoE+ Application
ANGLES ±1°	UNIT: mm	PART NO.: LPJG0926HENL
	SCALE: 2/1	SHEET: 1/2
	REV: C	DWG NO.: LP18022610

